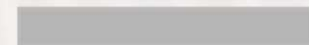


Artemio McRees

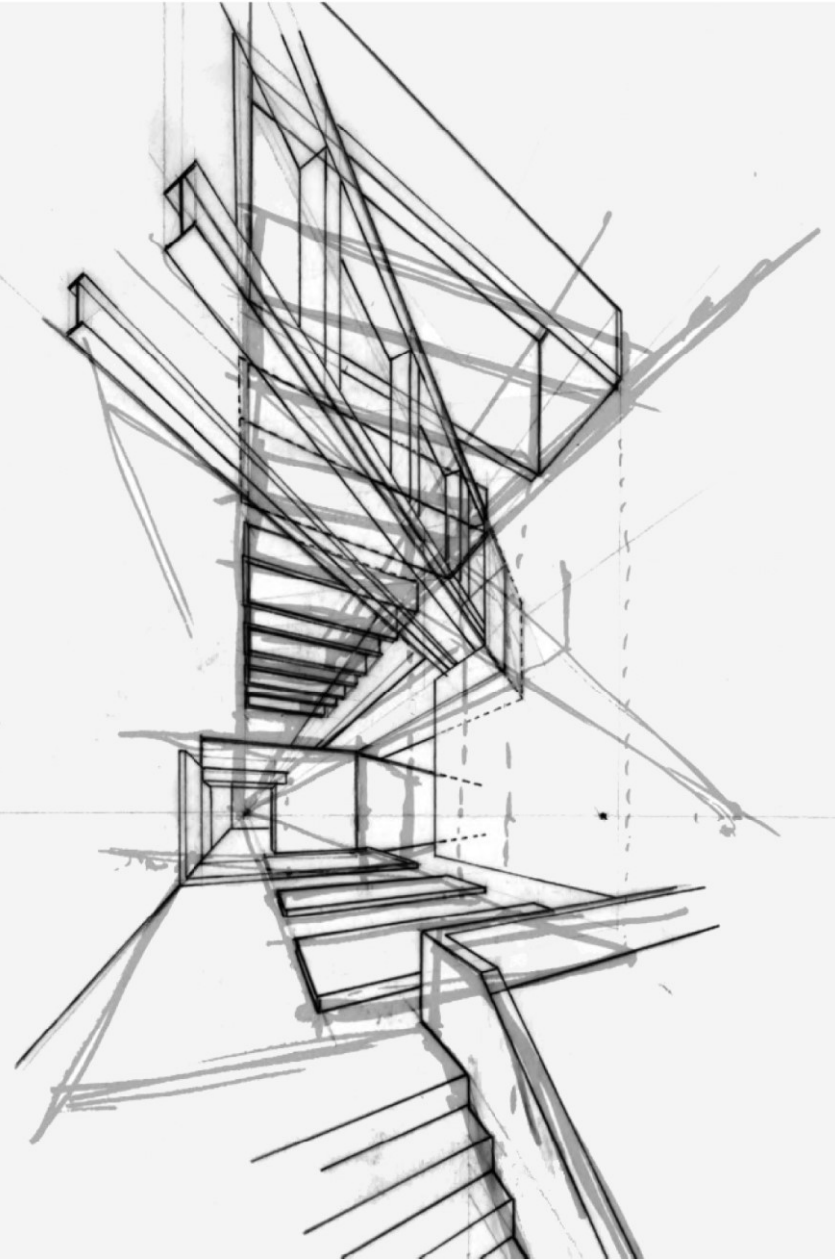
Architect Engineer | Industrial Designer | Researcher

PORTFOLIO

SELECTED PROJECTS



Artemio McRees



05

Intro

09

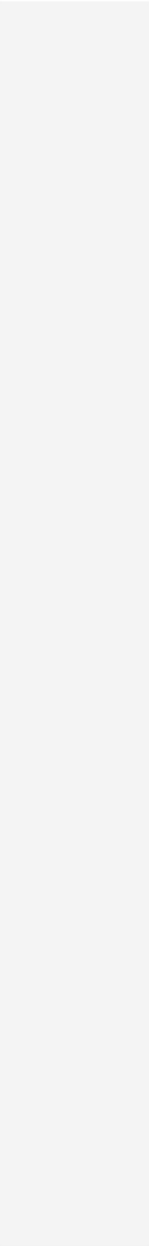
Selected Projects

15

Experience

17

Contact



Intro



BS in Architectural Design – Civil and Environmental Engineering

Stanford University – CA, USA

MS in Sustainable Design & Construction

Stanford University – CA, USA

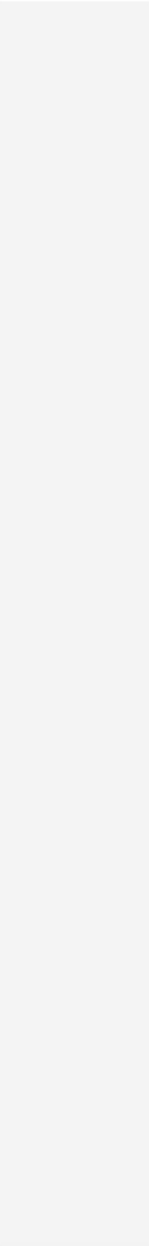
Engineer Program – Specialization

Biomimicry – Appliance of Nano Biology in Engineering

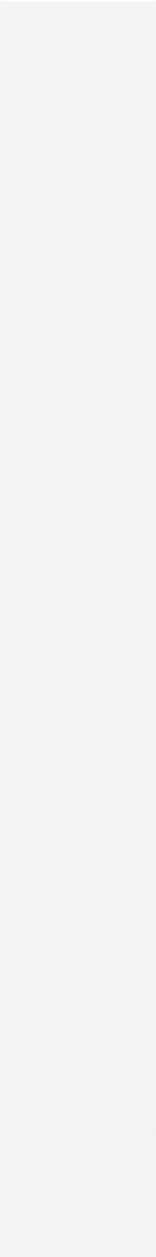
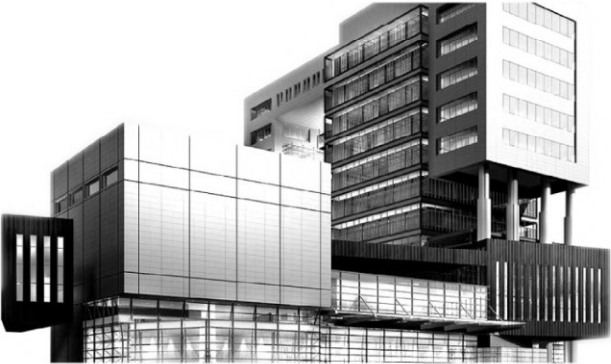
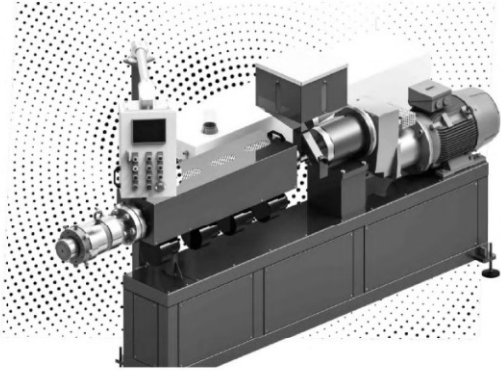
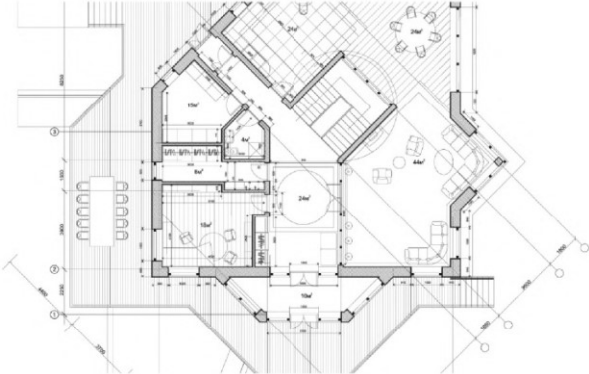
Stanford University – CA, USA

Guest Lecturer

TU Wien – Austria



Passion for creating ideas + conceptually influenced projects | buildings | draws | machines & products.



Architect Engineer Industrial Designer Researcher

My projects create meaningful experiences beyond the expected. Always with conceptually distinctive design that has real-world functionality.

- + Ideation Sketching
- + Rapid Visualization
- + Sustainable Research
- + Computer Modeling
- + Material Engineering
- + Product Rendering
- + Concept Development
- + Design Strategy
- + Model Prototyping
- + Interior Designing

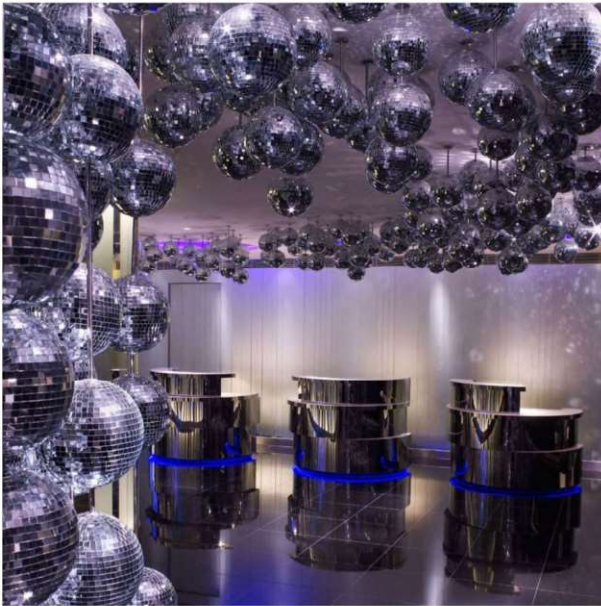
 Adobe  AUTODESK  RHINO WORKS  SIEMENS



Selected Projects



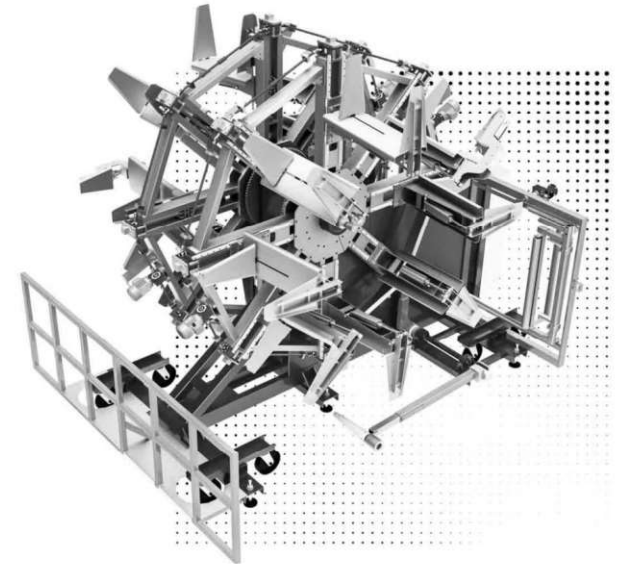
W Hotel London



Der Wolf Suits



Teanka Plastics

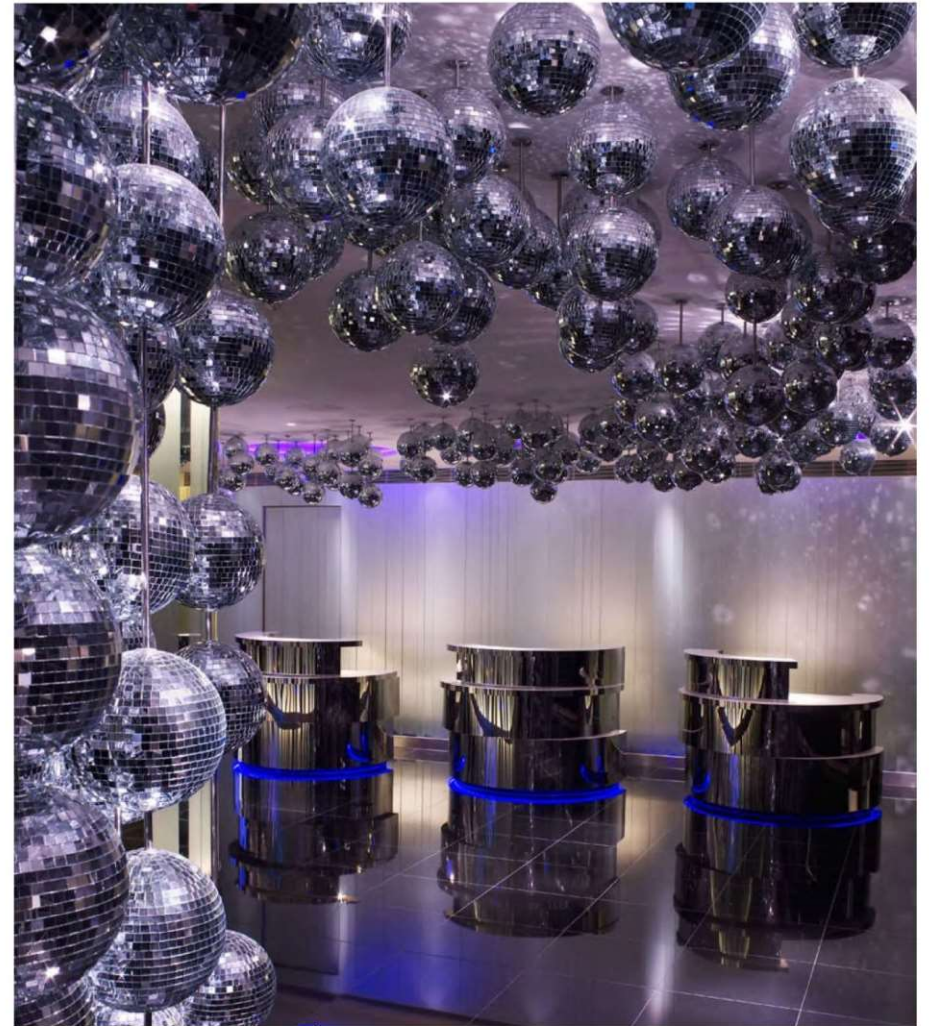


2010 — 2011

W HOTEL London

Interior Design of the elevator area in the lobby and all the floors of the hotel.

In collaboration with **Jestico + Whiles London**
[as undergraduate student]





2020 — 2022

DER WOLF Suites

In the heart of the Austrian Alps - Sankt Anton. Designing and construction of all the property. Research and selection of sustainable and eco friendly raw materials and objects.

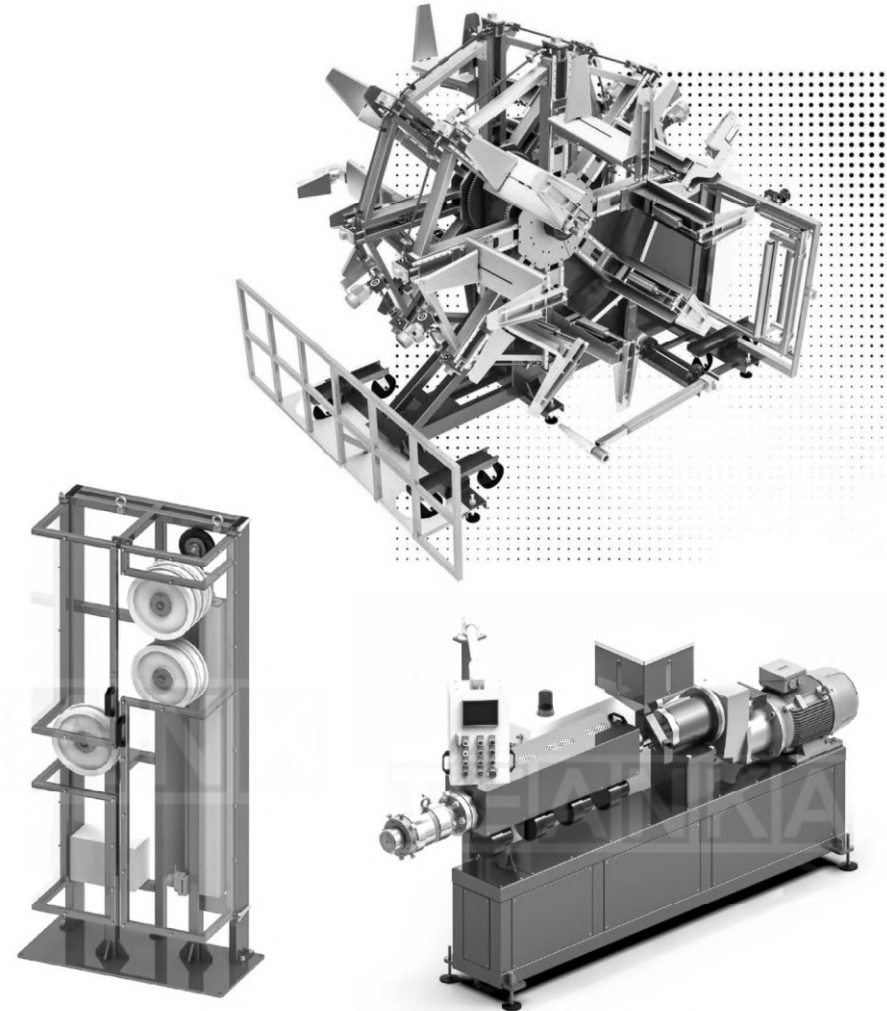


2019 - 2023

TEANKA Plastics

Supervising General Manager and Industrial Designer.

Plastic processing machinery production.
Research and development of R&D department regarding protecting the environment with long-term decisions to address the environmentally significant impacts from the products and business operations.



Other Collaborations



International Insider of SpaceApps by NASA
[2018–present]

Member of the administrative department and
research team of Hellenic Biomimicry Institute
[2016–present]

Experience



Experience

TEANKA PLASTICS

Supervising General Manager and
Industrial Designer
2019 - Present

Working in coordination with the 3D design team to develop and create new tech machineries. Responsibilities include market research, sketch ideation, concept development, 3D CAD, prototyping, manufacturing CAD analysis and digital renderings.

G MACHINERY

Design & Mechanical Engineer and
Sales Management
2013 - 2014

Designing and upgrades implementation of food mass production machines. Organization and participation in international food fairs. Inspection and preparation of ISO approvals. Writing Machine User Manuals in English & Greek.

PFEIFER & LANGEN GROUP

Senior Buyer & Sales Manager and
Properties Manager
2015 - 2020

Senior Buyer & Sales Manager of Foods Raw Materials. Opening new facilities in several countries. Properties Manager in group level & designing new premises. Project & Product marketing & management, dedicated in raw milk, powders, proteins & cheese markets.

Contact



Let's work together

